

Looking ahead,
going beyond expectations
Ahead > Beyond



BEST ONE WVBP-NENX



Technical data

Pump name

BEST ONE WVBP-NENX

Customer	Date	Company
Contact	Item no.	Issued by
Phone	Project	Phone
E-mail	Project ID	E-mail

Requested data

1	Pump type	SUBMERSIBLE SUMP PUMPS	Fluid	Water, clean
2	Number of pumps / Reserve	1 / 0	Liquid temperature	K 293
3	Flow	l/min 0	Kin. viscosity	mm ² /s 1
4	Head	m 0	Vapour pressure	kPa 2.2
5	Geodetic head	m 0	PH value	7
6	Inlet pressure (pin)	kPa 10	Density	kg/m ³ 1000
7	Available system NPSH	0	Solids	Weight % 0
8	Ambient temperature	K 290		

Pump

9	Pump name	BEST ONE MS	Frequency	Hz 50
10	Design	SUBMERSIBLE SUMP PUMPS	Installation type	With Magnetic Switch
11	Manufacturer	EPE	Impeller Diameter	Max. mm 85
12	Speed	l/min 2800		Designed mm 85
13	No. of Stage	1		Min. mm 85
14	Connection	Suction side Strainer	Flow	Operating l/min
15	Connection	Discharge side UNI ISO 228		Max- l/min 170
16	Max Working Pressure	kPa		Min- l/min 20
17	Shut-off head	kPa 87.96	Head	Operating m
18	Total weight	kg See the table of "Dimensions".		- (Qmax.) m 1.8
19	Shaft power	kW		- (Qmin.) m 8.4
20			Max. Shaft Power at max. impeller	kW
21	Required pump NPSH	m	Efficiency	%

Materials

22	Impeller	AISI 304	
23	Casing	AISI 304	
24	Shaft	AISI 303 + AISI 303 ceramic coated shaft sleeve	
25			
26			
27			

Motor

28	Manufacturer	EPE Standard	Insulation class	F
29	Type	BEST ONE M_230_Single Phase	Phases	1~
30	Specific design	Submersible dry type / 50 Hz / Pole pairs 1	Frame size	
31	Rated power	kW 0.25	Weight	kg 0
32	Number of poles	2	Electric voltage	V 230
33	Speed	l/min 2800	Electric current	A 2.3
34	Degree of protection	IP 68		
35				

Remarks

Performance curve Pump name BEST ONE WVBP-NENX

Customer	Date	Company
Contact	Item no.	Issued by
Phone	Project	Phone
E-mail	Project ID	E-mail

Requested data

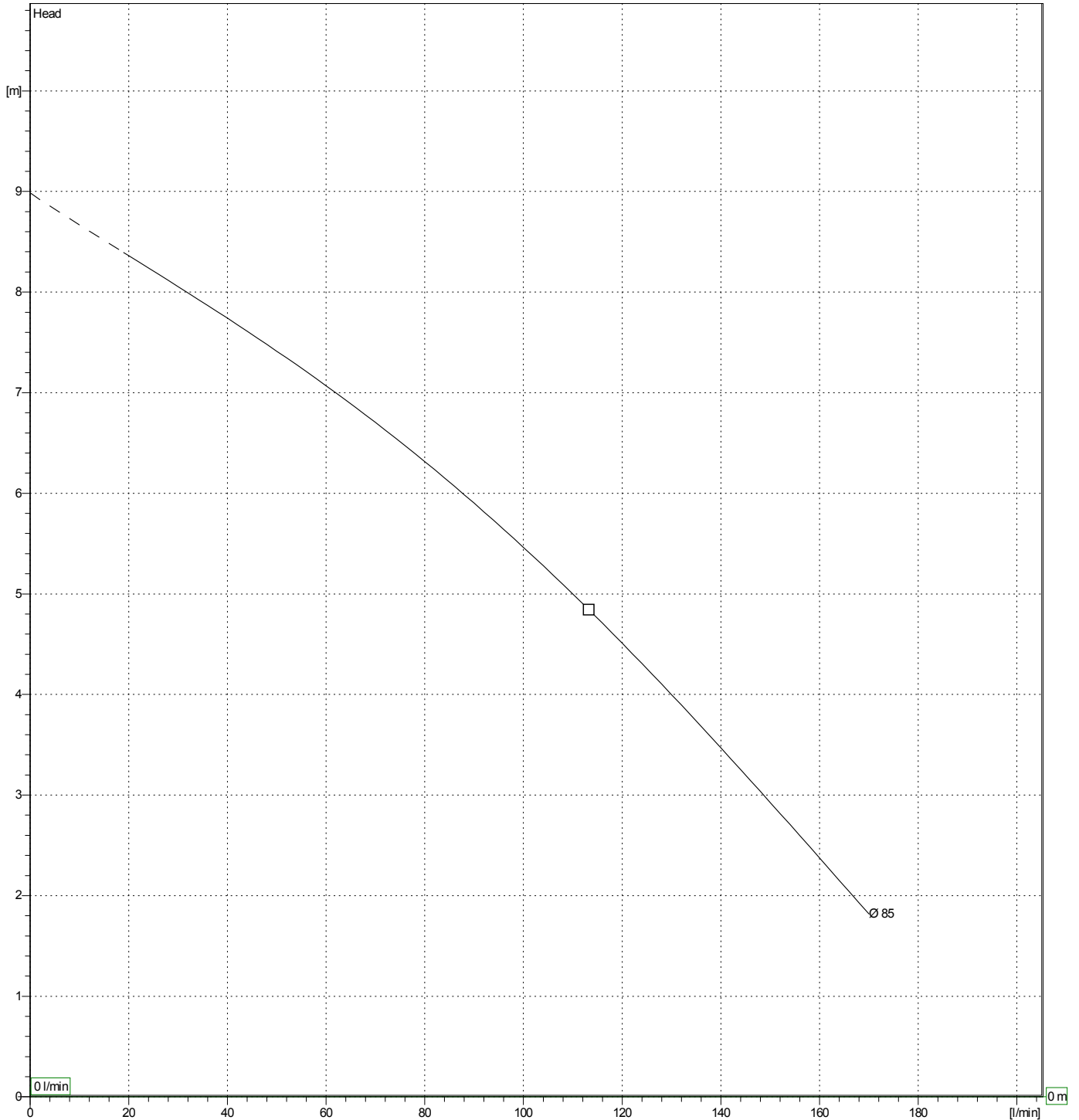
1	Flow	l/min	0
2	Head	m	0
3	Geodetic head	m	0

Pump

Operating Flow	l/min		Frequency	Hz	50
Operating Head	m		Number of poles		2
Impeller Diameter	Designed mm	85	Speed	1/min	

Test standard: ISO 9906:2012 - Grade3B

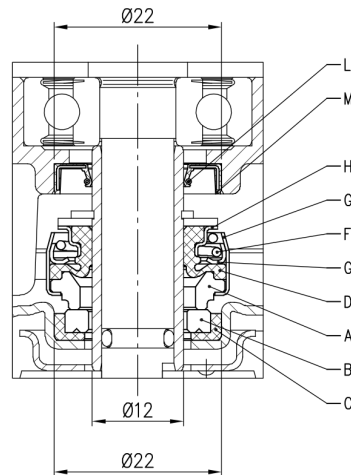
Water, clean [100%] ; 293K; 998.3kg/m³; 1mm²/s



Construction

Pump name BEST ONE WVBP-NENX

Customer	Date 14-May-2021	Company
Contact	Item no.	Issued by
Phone	Project	Phone
E-mail	Project ID	E-mail



REF	PART NAME	MATERIAL
A	Rotary seal ring	Carbon graphite
B	Stationary seal ring	Ceramic
C	Gasket	NBR
D	Bellows	NBR
F	Self driving spring	EN 1.4301 (AISI 304)
G	Frame	EN 1.4301 (AISI 304)
H	Retainer ring	EN 1.4301 (AISI 304)
L	Spring	EN 1.4318 (AISI 302)
M	Lip	NBR