


NEW
IMPROVED



PABLRM15 Pump

LOWARA PUMP WITH PERIPHERAL IMPELLER

 **LOWARA**
a xylem brand

PABLRM 15 Pump

New and improved PABLRM 15 Pump which replaces the PABLBM 15 is suitable for use with clean water that does not contain abrasive particles and liquids that are not chemically aggressive towards the materials from which the pump is made. The RYTON and brass pump body construction guarantees against the formation of rust and oxidation. As a result of these characteristics these pumps are suitable for use in industrial applications such as cooling, conditioning and boiler feed. The pump should be installed in an enclosed environment, sheltered from inclement weather.



Performance range:

- Flow rate up to 32 l/min (1.9 m³/h)
- Head up to 40 m
- Class F insulation
- Protection IP X4
- Weight 4.7 kg

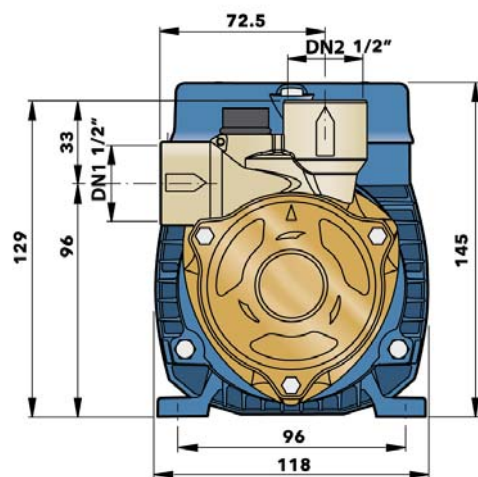
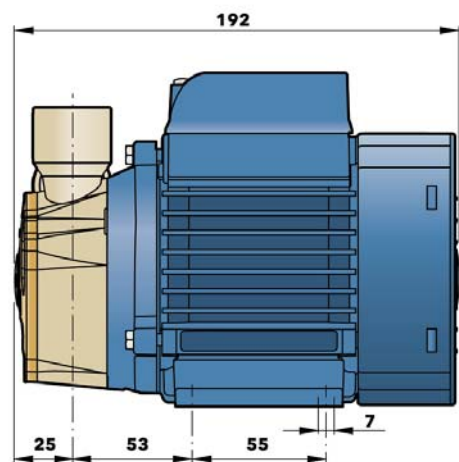
Application limits:

- Manometric suction lift up to 8 m
- Liquid temperature between -10°C to +90°C
- Ambient temperature between -10°C to +40°C
- Max. working pressure 10 bar
- Continuous service S1

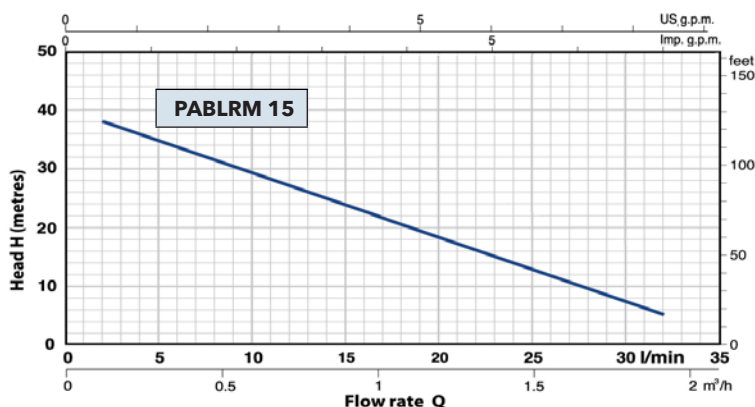
Specifications:

Pump Body	RYTON, complete with threaded metallic port inserts in compliance with ISO 228/1
Body Plate	Brass
Motor Bracket	Aluminium with brass insert, reduces the risk of impeller seizure
Impeller	Brass, with peripheral radial vanes
Motor Shaft	Stainless steel EN 10088-3-1.4104
Mechanical Seal	Seal: MG12-12 Shaft dia 12mm
Materials	Stationary ring: Silicon carbide Rotational ring: Graphite Elastomers: NBR
Bearings	6201 ZZ / 6201 ZZ
Capacitor	230V or 240V: 10µF 450 VL

Dimensions:



Characteristic curve and performance data 50 Hz n=2900 1/min HS=0m:



Model	Power		Input current	Q	Flow rate													
	kW	HP			m ³ /h	0	0.1	0.3	0.6	0.9	1.2	1.5	1.8	1.9				
Single-phase					l/m	0	2	5	10	15	20	25	30	32				
PABLRM 15	0.37	0.50	2.5A	H metres	40	38	35	29	23.5	18	12.5	7	5					

Q = Flow rate H = Total manometric head HS = Suction height Tolerance of characteristic curves in compliance with EN ISO 9906 App. A.



Xylem Water Solutions UK Limited
 Millwey Rise Industrial Estate
 Axminster, Devon EX13 5HU - UK
 Tel: (+44) 01297 630230
 Fax: (+44) 01297 630270
 e-mail: lowaraukenquiries@xyleminc.com
<http://www.lowara.co.uk>
<http://www.xyleminc.com>

Lowara is a trademark of Xylem Inc. or one of its subsidiaries. © 2011 Xylem, Inc.
 Lowara reserve the right to make modifications without prior notice.

Xylem Water Solutions Ireland Limited
 50 Broomhill Close
 Airtown Road
 Tallaght - Dublin 24
 Tel: (+353) 01 4524444
 Fax: (+353) 01 4524795
 e-mail: lowara.ireland@xyleminc.com
<http://www.lowara.ie>