



Tellarini JET Pumps Data sheet

SPECIFICATIONS

- Pump self-priming until 8 meters of depth
- Max temperature of the liquid 60° C
- Max operating pressure: 6 bar
- Series JIM: single-phase, with capacitor case and terminal board
- Series JIM GARDEN: single-phase, with switch, cable (2 m) with plug and handle
- Series JIT: three-phase, with terminal board and cover

MATERIALS

- Pump body: stainless steel AISI 304
- Shaft: stainless steel AISI 316
- Diffuser: thermoplastic material
- Impeller types JI 5, JI 6, JI 8: thermoplastic material
- Impeller types JI 12: stainless steel AISI 304
- Mechanical seal : Ceramic/graphite/NBR

MOTOR

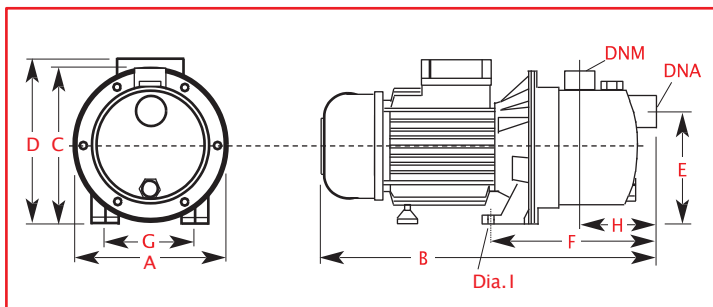
Induction motor, insulation class F, protection IP 44, continuous duty
 Power supply voltage for single-phase motor:
 Standard: 230 V 50 Hz
 On request:
 110 V 50 Hz, 110 V 60 Hz, 220 V 60 Hz
 Power supply voltage for three-phase motor:
 Standard: 230/400 V 50 Hz
 On request: 230/400 V 60 Hz
 Single-phase motor with thermal protection built-in
 Three-phase motor with protection to be installed by the user

APPLICATIONS

- Wine filters
- Booster units
- Washing
- Irrigation of gardens and kitchen gardens
- Feeding of fountains
- Suction and transfer of drinkable water and, generally, of clean water from tanks, wells, canals, also if some air is dissolved in the liquid

Single-phase Series JIM 230 V 50 Hz	Single-phase Series JIM GARDEN 230 V 50 Hz	Three-phase Series JIT 230/400 V 50 Hz	HP	Rev./min.	Suction hose	Delivery hose	H max (m)	CAPACITY (LT./MIN.)				
								0 m	10 m	20 m	30 m	40 m
JIM 5	JIMG 5	JIT 5	0.5	2800	1" F	1" F	32	60	52	22		
JIM 6	JIMG 6	JIT 6	0.6	2800	1" F	1" F	36	62	57	29	9	
JIM 8	JIMG 8	JIT 8	0.8	2800	1" F	1" F	42	64	60	39	17	
JIM 12	JIMG 12	JIT 12	1.2	2800	1 1/4 F	1" F	46	97	89	74	42	14

Performances referred to operation with water We reserve the right to make modifications without prior notice



MODEL	DIMENSIONS											WEIGHT	
	A	B	C	D	E	F	G	H	Dia I	DNA	DNM	KG	KG
JIM 5/6/8 JIT 5/6/8	170	395	173	186	127	197	100	90	7	1" G	1" G	JIM/JIT 5	4.9
JIM 12 JIT 12	208	417	210	216	156	243	120	100	9	1 1/4" G	1" G	JIM/JIT 12	10.0